

UST Trigger Control Spray Gun

Features

- Adjustable trigger pull with spring-loaded positive shutoff
- Up to 3000 psi, 10 gpm, and 300° F ratings
- Minimal pressure drop at maximum rated flow
- Chemically resistant
- Low weight combined with durable construction
- No liquid flow through hand grip
- Well balanced, rigid design
- Simple design, easily serviced
- Choice of zero leak or "weep" seats

Specifications

- Pressure Ranges 0 to 3000 psi (200 bar)
- Capacity 0 to 10 gpm (40 lpm)
- Temperature Range Up to 300° F (150° C)
- Weight 1.4 lbs (615 g)
- Pressure Drop 40 psi at 5 gpm
- Trigger force 5 lbs at 1000 psi

Applications

- Self- and full-service car wash systems
- Pressure cleaning with clear water or chemical solutions
- Sandblasting/Steam cleaning
- High pressure cleaning in food plants and similar applications



Materials of Construction

- Body Glass-reinforced plastic
- Seat Insert Stainless steel
- Ball Stainless steel
- Actuating Rod Stainless steel
- Valve Housing Forged brass
- Seals Viton®

Viton® is a registered trademark of DuPont Dow Elastomers

Ordering Information

UST - 0

MODEL NUMBER

OPTIONS

- 0 = Zero-leak, 3/8" inlet, 1/4" outlet, trigger lock
- 1 = Weep seat, 3/8" inlet, 1/4" outlet
- 2 = Zero leak, 3/8" inlet, 3/8" outlet, trigger lock

Other options such as stainless steel wetted parts and trigger locks are available. Repair kit order number 40054.

Call U.S. Para Plate for more information.



A CIRCOR International company

www.usparaplate.com • 951-270-6200

U.S. Para Plate valves and regulators are used where performance and reliability are a must. Proven for over 30 years in the most demanding Aerospace and Industrial applications.



2 UST Trigger Control Spray Gun

Repair and Adjustment Instructions

Disassembly

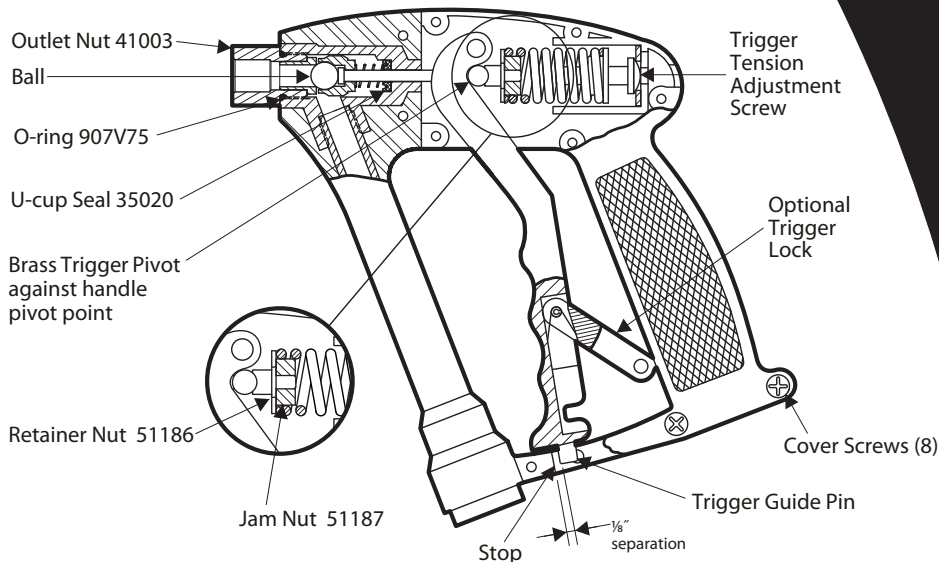
Before removing cover, use a Phillips screw driver to turn the trigger tension adjustment screw at the back of the gun clockwise until spring tension has been relieved (trigger will loosen). Loosen 8 cover screws and remove the cover. Note the position of the parts. Remove the outlet nut, thread counterclockwise. The stainless steel seat is pressed into the brass outlet nut and does not need removal. Remove trigger tension adjustment screw and spring. Remove the main valve assembly as follows: unlock the jam nut from the retainer nut and thread them counterclockwise off of the stem. Remove the brass pivot. Push the stem assembly out of the opening in the front of the wand. The U-cup seal may need to be extracted from the small bore in the valve body. The trigger will be loose after the stem is removed.

Replacing the Soft Goods

The U-cup seal is the high wear item in the wand and should always be replaced during servicing. Repair Kit 40054 includes the outlet nut, O-ring, and the stem assembly. The stem assembly consists of the ball, ball retainer, spring, stem and U-cup. The O-ring and U-cup can also be obtained separately. If replacing the U-cup only, place tape over the threads to avoid damage to the ID of the U-cup when installing over stem threads.

Reassembly

Reverse the process to reassemble. Carefully feed the new or repaired (new U-cup) stem assembly through the bore in the valve body. Make certain the trigger is back in place. Install the brass pivot and loosely thread the retainer nut and the jam nut back onto the stem. Reinstall the outlet nut.



Seating the Ball

Before final assembly of the spring and other parts, the ball must be properly seated. Push the stem assembly forward till the ball stops against the seat. Thread on the retainer nut until it contacts the pivot and the pivot contacts the pivot point on the handle. With the trigger guide pin resting in the pin slot in the handle, make sure there is $\frac{1}{8}$ " separation between the forward edge of the pin and the stop in the slot. Check this space when pushing the stem forward against the seat. If necessary, adjust the retainer nut in or out until the $\frac{1}{8}$ " separation is achieved. The jam nut should be locked against the retainer nut to hold the setting. Reassemble the other parts and the cover. Turn the trigger tension adjustment screw counterclockwise a few turns to create tension against the handle. Recheck the trigger adjustment. If more than $\frac{1}{8}$ " separation exists, or if none exists, disassemble and readjust the position of the retainer nut as necessary.

One further check should be made after adding trigger tension. Turn the trigger tension adjustment screw counterclockwise until it stops (i.e., hand-tight resistance). Then reverse and turn clockwise approximately $1\frac{1}{2}$ turns. If the $\frac{1}{8}$ " separation remains, trigger adjustment is complete.

Trigger Tension Adjustment

Trigger tension can be adjusted to the most comfortable pull based on system pressures. Greater force is needed to close the ball seat closed in higher pressure systems, and less force is needed for lower pressure systems. Hold the wand tightly and adjust with the pumping system on.

The trigger tension is properly set when the trigger snaps closed, and remains closed after being released.



A CIRCOR International company

U.S. Para Plate • 2301 Wardlow Circle • Corona, California 92880

Tel: 951-270-6200 • Fax: 951-270-6201 • www.usparaplate.com